

QS200-SC48 ± 190 Vdc to 48 Vdc Line Power Remote Converter



Features and Advantages

- Converts up four 100VA channels of ± 190 Vdc from an upstream converter into highly reliable 48 Vdc to power customer equipment on the remote end.
- Flexibly provides up to 300W, (6A) of nominal 48 Volt power (actual output voltage is 55V).
- Efficient - Up to 92% at full load
- Operates over a broad temperature range (-40°C through $+65^{\circ}\text{C}$).
- IP68 rated and Hardened for outdoor operation with natural convection cooling.
- Fail safe performance – outputs from all 4 input channels are combined into a single output. With 75W of output per input channel, if one input channel were lost, 225W would still be available on the output.
- Alarm output (Form C Isolated Contact) for any local failure

Electrical Specifications

Input Voltage

Operating input voltage	130 to 400 dc measured between each pair of input wires.
DC input current	Max draw between 235 and 250 ma per each of 4 channels

Output

$V_{out\ Setpoint}$	$-55.5 V_{dc}$
Voltage Range	-52 to $-56 V_{dc}$
I_{out}	6A, 300W Max Output Power $< 4 \times (V_{in} \times .235A) \times \eta$
Ripple	140 mV _{rms} , 250 mV _{p-p}
Efficiency (η)	91.2% peak
Thermal	-40 to 65°C , Self protects above 65°C
Environmental	IP68, FCC Part 15, UL60950-1 & -21

Wiring Connections

3 Meter Input Cable (24 AWG Solid)

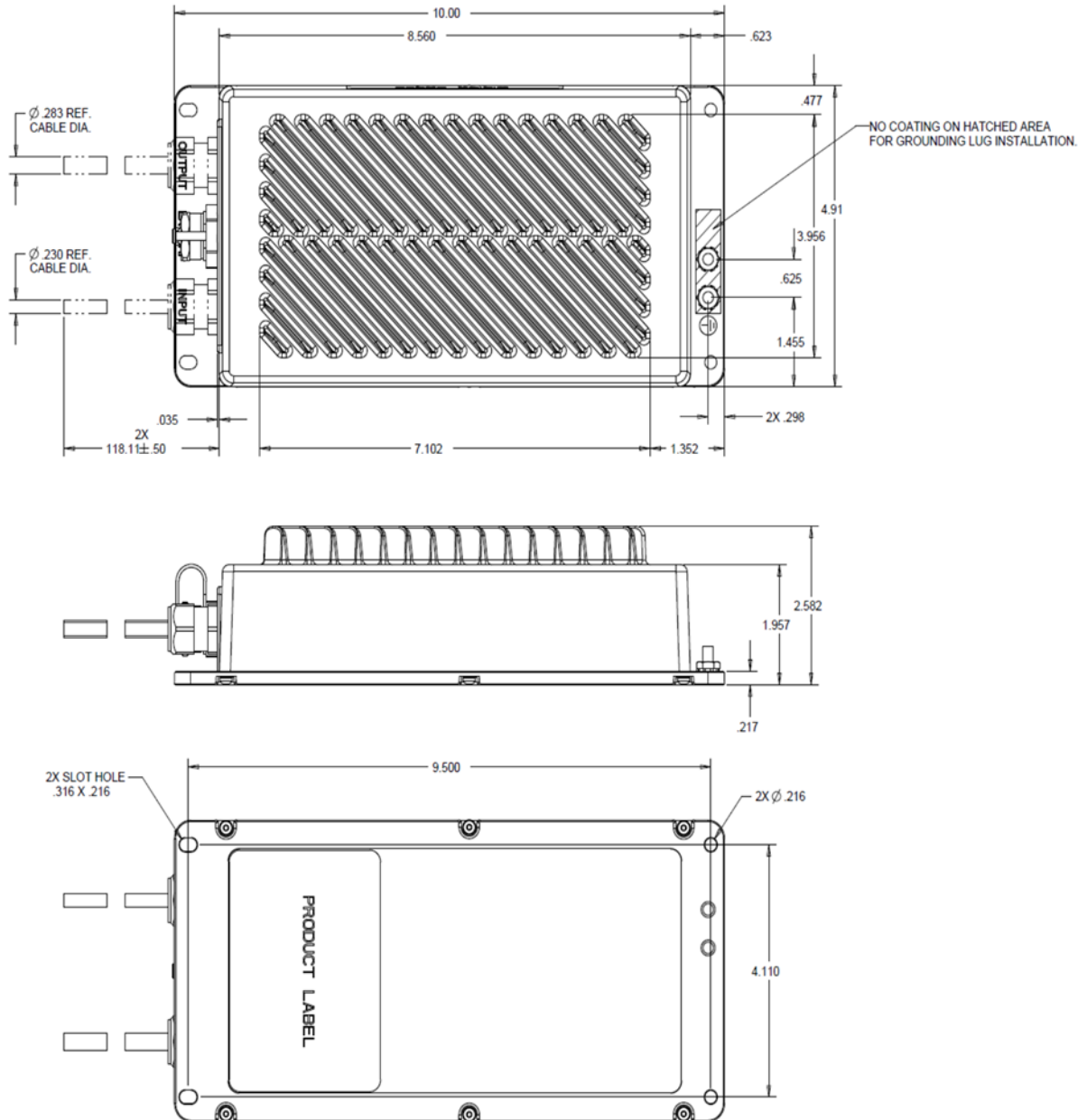
Circuit	Wire Pair Colors
1	Blue / Blue White
2	Orange / Orange White
3	Green / Green White
4	Brown / Brown White

3 Meter Output Cable

Function	Wire Color
Power	-48V
	Return (positive)
Form C Alarm	Common
	Open on Alarm
	Close on Alarm

Technical Specifications

Physical Interface Dimensions





ABB

601 Shiloh Rd.

Plano, TX USA

abbpowerconversion.com

We reserve the right to make technical changes or modify the contents of this document without prior notice. With regard to purchase orders, the agreed particulars shall prevail. ABB AG does not accept any responsibility whatsoever for potential errors or possible lack of information in this document.

We reserve all rights in this document and in the subject matter and illustrations contained therein. Any reproduction, disclosure to third parties or utilization of its contents – in whole or in parts – is forbidden without prior written consent of ABB

Copyright© 20121ABB

All rights reserved